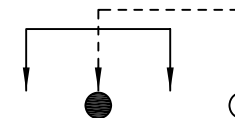
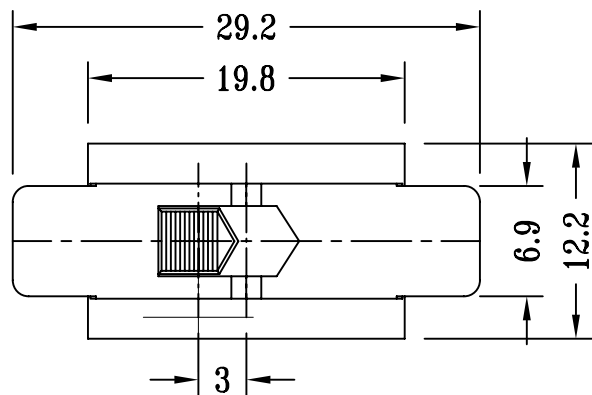
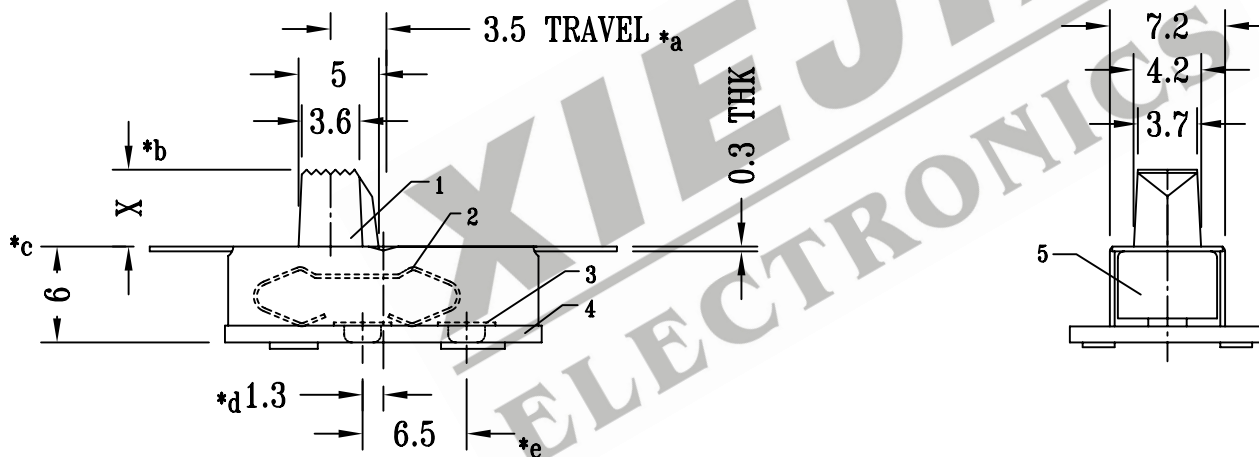


CAD FILE:



SCHEMATIC



注:带"*"表示关键尺寸(5个)

NO.	PARTS	MATERIALS	Q'TY	FINISH	TOLERANCE UNLESS SPECIFIED	SHENZHEN XIEJIA ELECTRONICS CO.,LTD.				
8					WITHIN: 1.5±0.1mm OVER: 1.5±0.2mm	ISSUE	DATE	DESCRIPTIONS OF REVISION		APPD.
7										
6										
5	FRAME	STEEL STRIP	1	Ni PLATED						
4	TERMINAL BASE	HARD PAPER	1	RED	TITLE: VERTICAL SLIDE SWITCH	UNIT: mm	DRWG NO.: XJ-DR-SS11G09-00			
3	TERMINAL	BRASS	2	NATURAL						
2	CONTACT CLIP	PBS	1	NATURAL	MODEL: SS-11G09	SCALE: 2:1	DWN.	ZHOUYU	2003-6-18	
1	KNOB	POM	1	RED			CHK'D	FANGYING	2003-6-18	
					ALL MATERIALS MUST BE COMPLIANT TO ROHS		APPD.	KANGXINAN	2003-6-18	